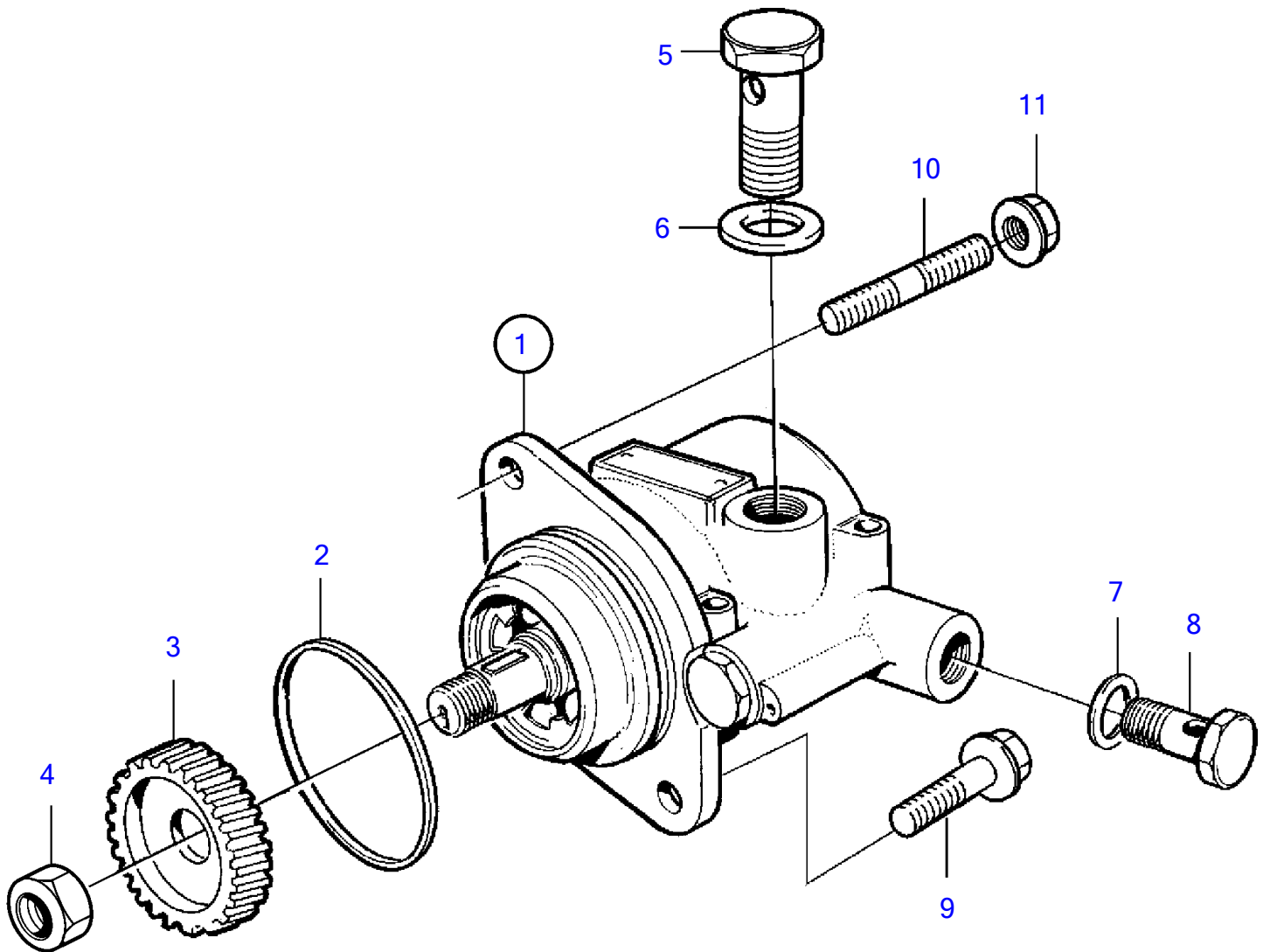


TAMD74A-A, TAMD74A-B, TAMD74C-A, TAMD74C-B, TAMD74L-A, TAMD74L-B, TAMD74P-A, TAMD74P-B, TAMD75P-A



19523

TAMD74A-A, TAMD74A-B, TAMD74C-A, TAMD74C-B, TAMD74L-A, TAMD74L-B, TAMD74P-A, TAMD74P-B, TAMD75P-A

| REF | PART NO. | QTY | DESCRIPTION | SEE SEC. | NOTES |
|-----|----------|-----|------------------|----------|----------------------------|
| 1 | 1589925 | 1 | Pump | | |
| | | | • | 3183 | |
| | | | • | | |
| 2 | 943646 | 1 | O-ring | | |
| 3 | 478296 | 1 | Gear | | Nitro |
| | | | • Bulletin 45-01 | 45-01-EN | Timing Gears, 71, 100, 121 |
| 4 | 20367040 | 1 | Castle nut | | |
| 5 | 191620 | 1 | Hollow screw | | |
| 6 | 18822 | 2 | Gasket | | |
| 7 | 947622 | 2 | Gasket | | |
| 8 | 941686 | 1 | Hollow screw | | |
| 9 | 965188 | 1 | Flange screw | | |
| 10 | 953067 | 1 | Stud | | |
| 11 | 971098 | 1 | Flange lock nut | | |